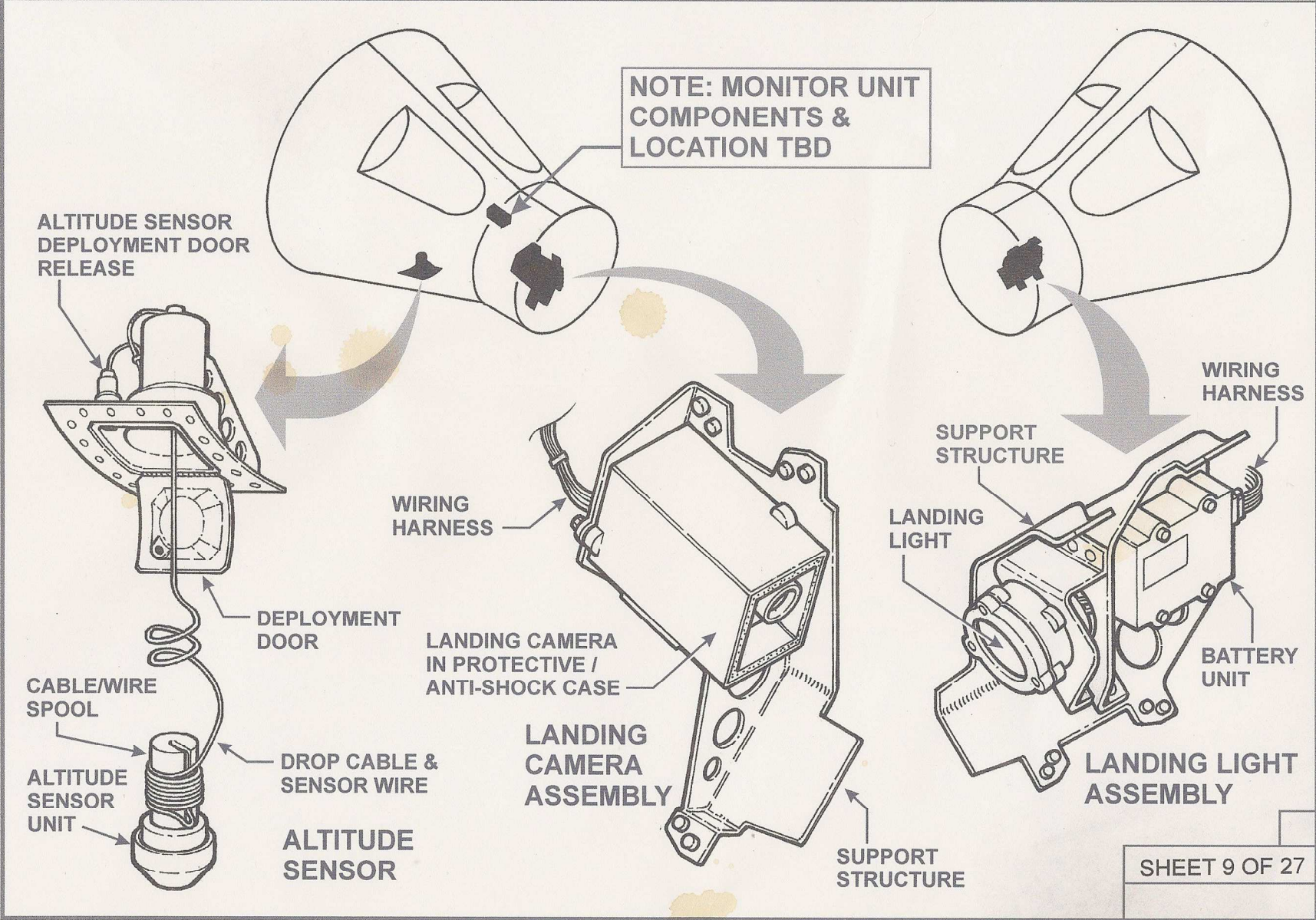


ORGANIZATION: ASP-GI	AEROSPACE RESEARCH PROJECT GEMINI-I VARIANT MAJOR COMPONENT MODIFICATIONS - LANDING SUPPORT SYSTEMS	REVISION: 31 OCTOBER 1967
DRAWING NUMBER: 10A00553		APPROVAL: <i>Vernon K. Smith</i>
		DATE: 11 November 1967



SHEET 9 OF 27